

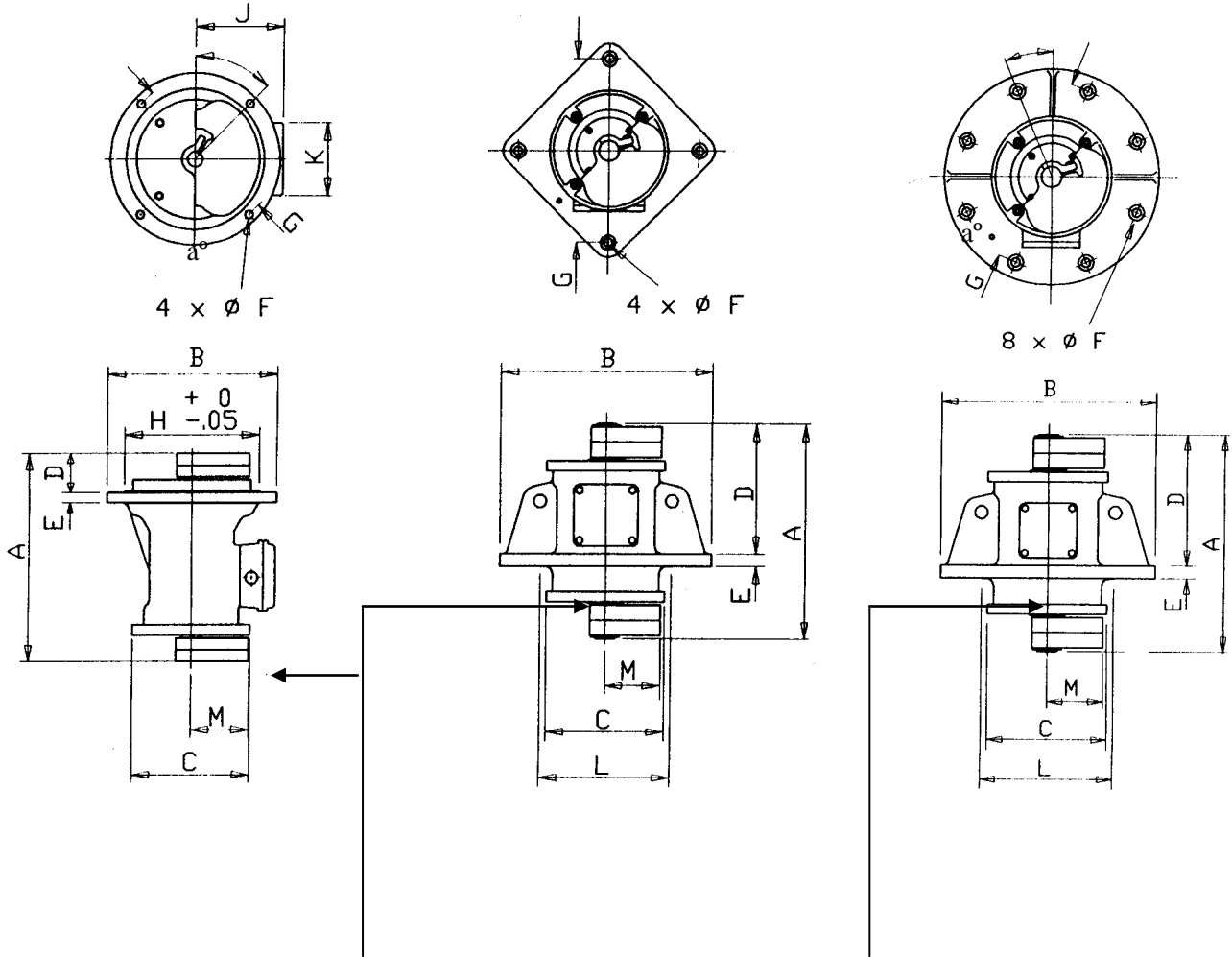


ESFK 25 to 60 Series Flameproof Vibrators Flange Mounted 50/60 Hz –
intended for use in potentially explosive atmospheres - directive 94/9/EC

ESFK 25

ESFK 30-40

ESFK 50-60



CABLE ENTRY
ESFK 25-40
M20x1.5-6H
THERMISTOR ENTRY
ESFK 25
M20X1.5-6H

CABLE ENTRY
ESFK50 M25X1.5-6H
ESFK60 M32X1.5-6H
THERMISTOR ENTRY
ESFK50-60 M20X1.5-6H

CABLE GLANDS - Due to differing site requirements Invicta Vibrators do not supply cable glands with the vibrators.





Dimensions mm

Vibrator Size													
	A	B	C	D	E	F	G	a	H	J	K	L	M
ESFK 25-8/2	342	280	175	43	16	13.5	254	90	228.6	-	-	-	76
ESFK 25-13/2	342	280	175	43	16	13.5	254	90	228.6	-	-	-	90
ESFK 230-16/2	379	420	175	236	25	17.5	360	-	300	-	-	260	89.8
ESFK 40-30/2	384	420	236	238	25	17.5	360	-	300	-	-	260	89.8
ESFK 25-7.5/4	381	280	175	63	16	13.5	254	90	228.6	-	-	-	95
ESFK 25-11/4	381	280	175	63	16	13.5	254	90	228.6	-	-	-	106
ESFK 25-14/4	401	280	175	63	16	13.5	254	90	228.6	-	-	-	107
ESFK 30-18/4	449	420	236	270	25	17.5	360	-	300	-	-	260	110
ESFK 30-25/4	449	420	236	270	25	17.5	360	-	300	-	-	260	123
ESFK 40-35/4	467	508	238	283	27	26	438	-	360	-	-	345	154.5
ESFK 50-55/4	588	485	324	331	27	26	438	22.5	-	-	-	345	182
ESFK 50-75/4	602	485	324	339	27	26	438	22.5	-	-	-	345	187
ESFK 60-95/4	692	590	366	385	27	26	495	22.5	-	-	-	420	200
ESFK 25-8/6	461	280	175	103	16	13.5	254	90	228.6	-	-	-	100
ESFK 25-11/6	481	280	175	113	16	13.5	254	90	228.6	-	-	-	107
ESFK 30-14/6	529	420	236	311	25	17.5	360	-	300	-	-	260	112
ESFK 30-18/6	529	420	236	311	25	17.5	360	-	300	-	-	260	122
ESFK 40-27/6	527	508	238	313	27	26	438	-	360	-	-	345	154.5
ESFK 50-42/6	696	485	324	385	27	26	438	22.5	-	-	-	345	160.2
ESFK 50-60/6	702	485	324	389	27	26	438	22.5	-	-	-	345	180.5
ESFK 50-75/6	740	485	324	408	27	26	438	22.5	-	-	-	345	183
ESFK 60-105/6	792	590	366	435	27	26	495	22.5	-	-	-	420	215.5



ESFK 25 to 60 Series Flameproof Vibrators Flange Mounted 50/60 Hz –
intended for use in potentially explosive atmospheres - directive 94/9/EC

A Division of Grantham Engineering Limited, Harlaxton Road, Grantham, Lincolnshire England NG31 7SF
Telephone +44 (0) 1476 566301 Fax +44 (0) 1476 590145 VAT No GB 610 4250 96

Fixed Speed Applications - Temperature Rating T3
Variable Speed Applications – Temperature Rating T3
Fixed Speed Applications – Temperature Rating T4

Vibrator Size	Centrifugal Force Newtons 50/60 Hz	Working Moment (x2) Kg.cm		Watts		Weight Kg	
		50 Hz	60 Hz	Input	Output	50 Hz	60 Hz
		2 POLE 2880/3456 R.P.M.					
ESFK25-8/2	7848	17.2	12.0	665	500	37	36
ESFK25-13/2	12753	28	19.5	665	500	39	38
ESFK30-16/2	15696	34.5	24.0	1410	1100	62	61
EBK40-30/2	29430	64.7	44.9	1875	1500	93	92
4 POLE 1440/1728 R.P.M.							
ESFK25-7.5/4	7357	64.7	44.9	675	500	44	43
ESFK25-11/4	10790	94.9	65.9	675	500	45	44
ESFK25-14/4	13735	121	84	675	500	48	46
ESFK30-18/4	17658	155	107.6	1335	1150	77	74
ESFK30-25/4	24525	216	150	1335	1150	79	76
ESFK40-35/4	34335	302	209	2150	1800	108	105
ESFK 50-55/4	53955	474	329	3740	3350	185	180
ESFK 50-75/4	73575	647	449	5280	4800	220	206
ESFK 60-95/4	93195	820	569	8410	7750	340	330
6 POLE 960/1152 R.P.M.							
ESFK25-8/6	7848	155	107.6	747	510	50	47
ESFK25-11/6	10790	213	148	747	510	56	53
ESFK30-14/6	13734	271	188	1165	900	85	80
ESFK30-18/6	17658	349	242	1165	900	90	85
ESFK40-27/6	26487	524	364	2290	1800	122	117
ESFK 50-42/6	41200	815	566	4530	4000	242	230
ESFK 50-60/6	58860	1164	808	4530	4000	256	244
ESFK 50-75/6	73575	1455	1010	4530	4000	272	259
EBK 60-105/6	103000	2037	1414	6630	6200	405	382

The information contained herewith is issued as a guide and is not intended to be definitive. All reference to technical and commercial information herein is subject to our Conditions of Sale and gaining written confirmation from ourselves.





A Division of Grantham Engineering Limited, Harlaxton Road, Grantham, Lincolnshire England NG31 7SF
Telephone +44 (0) 1476 566301 Fax +44 (0) 1476 590145 VAT No GB 610 4250 96

T3 FIXED SPEED

TEMPERATURE RATING - T3 VIBRATORS HAVE 160°C P.T.C. THERMISTORS FITTED TO EACH PHASE BUT IT IS NOT A REQUIREMENT THAT THEY BE CONNECTED. (THERMISTORS ARE AN OPTIONAL FITTING ON EBK20)

T3 VARIABLE SPEED

TEMPERATURE RATING - T3 VIBRATORS FOR VARIABLE SPEED HAVE 160°C P.T.C. THERMISTORS FITTED TO EACH PHASE AND IT IS A REQUIREMENT THAT THEY BE CONNECTED.

T4 FIXED SPEED

TEMPERATURE RATING - T4 VIBRATORS HAVE 120°C P.T.C. THERMISTORS FITTED TO EACH PHASE AND IT IS A REQUIREMENT THAT THEY BE CONNECTED.

AMBIENT TEMPERATURE - (NORMAL) MINUS 20°C TO PLUS 40°C

ENCLOSURE PROTECTION - MAIN BODY: EN60034: PT5 1986 SIMILAR to IP51
TERMINAL BOX: IP65 to BS.EN60529:1992
IP55 to BS.4999:105:1988

CERTIFICATION:

ESFK 25 TO ESFK 40 VIBRATORS CERTIFIED TO COMPLY WITH EUROPEAN STANDARDS
TYPE EEx'd' GROUPS IIA AND IIB. UNITS SUITABLE FOR USE IN ZONE 1 AND ZONE 2 AREAS. (II 2 G)

CERTIFICATE NUMBERS – ESFK 25, SIRA 01ATEX1254X
ESFK 30, SIRA 01ATEX 1255X
ESFK 40, SIRA 01ATEX 1256X } STANDARD REF:
EN60079-0
EN60079-1

ESFK 50 TO ESFK 60 VIBRATORS CERTIFIED TO COMPLY WITH EUROPEAN STANDARDS
TYPE EEx'd' GROUPS IIA, UNITS SUITABLE FOR USE IN ZONE 1 AND ZONE 2 AREAS. (II 2 G)

CERTIFICATE NUMBERS - ESFK 50, SIRA 01ATEX 1258X
ESFK 60, SIRA 01ATEX 1259X } STANDARD REF:
EN60079-0
EN60079-1

